

**OLYMPUS**<sup>®</sup>

Your Vision, Our Future

**EVIS EUS**

EVIS EXERA II ULTRASOUND GASTROVIDEOSCOPE

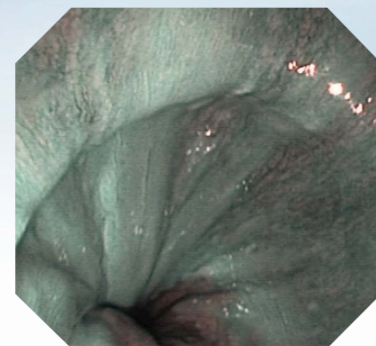
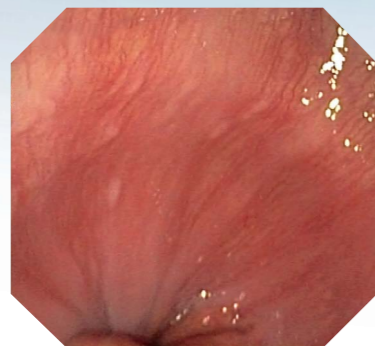
# GF-UCT180

Offering Increased Imaging Depth, This Scope's New Curvilinear Array Transducer Lets You Step Up to the Next Level in Ultrasound Imaging and Performance



## Improved B-mode imaging capability, redesigned forceps elevator, Narrow Band Imaging capability, and detachable ultrasound cable

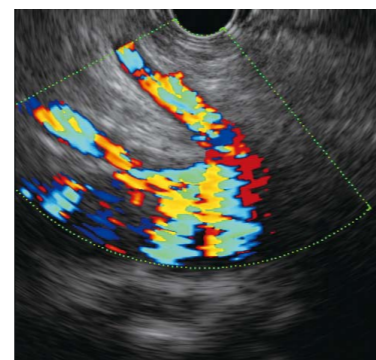
Featuring a newly developed curvilinear array transducer that delivers higher-quality ultrasound images with greater imaging depth in B-mode, the GF-UCT180 offers you the power and flexibility you need for everything from straightforward tissue sampling to sophisticated EUS-guided treatment. A redesigned forceps elevator gives you more reliable control over devices passed through the 3.7 mm diameter instrument channel, while the slim 12.6 mm diameter insertion tube ensures smooth insertion. Narrow Band Imaging (NBI) is newly available with ultrasound gastrovideoscopes. Other features include a high-resolution CCD for sharp video images and a detachable ultrasound cable that facilitates easier handling, reprocessing and storage, as well as ensuring system compatibility.



NBI



B-mode



Color Flow mode

The GF-UCT180 offers outstanding platform flexibility using a single detachable cable that lets you connect the ultrasound endoscope to a choice of OLYMPUS and ALOKA ultrasound centers



MAJ-2056

OLYMPUS  
EUS Endoscopic Ultrasound Center

### EU-ME2

#### Advancing the art of endosonography

The EU-ME2 is a high-quality compact ultrasound processor for use with OLYMPUS endoscopic ultrasound (EUS) equipment that has been designed for integration with conventional endoscopy on a single workstation. With its high resolution and an image display that promotes clear visualization, the EU-ME2 brings real clarity to your EUS procedures, supporting better detection and characterization of lesions. A variety of new features advances the art of endosonography.

HITACHI  
Aloka Medical Diagnostic Ultrasound System

### ProSound F75

#### "FIT" for comfortable and efficient ultrasound examinations

The ProSound F75 offers excellent imaging for a wide variety of clinical applications aiding in better diagnosis. For facilitating workflow, the system is ergonomically designed to accommodate all physicians in the practice through positional adjustment of the operation panel and monitor.

#### GF-UCT180 supports a variety of procedures from imaging EUS to interventional EUS



- **Detachable ultrasound cable**

A detachable ultrasound cable design makes the GF-UCT180 easier to handle, reprocess and store and provides it with the flexibility to connect to different ultrasound platforms.

- **Redesigned forceps elevator**

The GF-UCT180 features a redesigned forceps elevator that gives you more reliable control over devices passed through the 3.7 mm diameter instrument channel.

- **Ideal for EUS-guided FNA**

Combining the GF-UCT180's slim 12.6 mm diameter insertion tube, ensuring smooth insertion, with the EZ Shot 2 aspiration needle (NA-220H/230H) and connecting it to either platform shown above creates a system ideal for EUS-guided FNA.

# OLYMPUS GF TYPE UCT180



Single Use Aspiration Needle NA-220H-8019, 8022, 8025 / NA-230H-8022

## EZ Shot 2™ 19G, 22G, 25G, 22G with sideport

### Selection of needles for various styles and requirements

The variably-sized, versatile EZ Shot 2 is compatible with OLYMPUS ultrasound endoscopes designed for EUS-guided FNA. Available in 19G, 22G, 25G and 22G with a sideport to allow aspiration from the needle's distal tip and side. The all-in-one EZ Shot 2 has everything needed for effective FNA including a unique dimpled design that is clearly visible in ultrasound images.



MAJ-2056

### Ultrasound Cable

## MAJ-2056

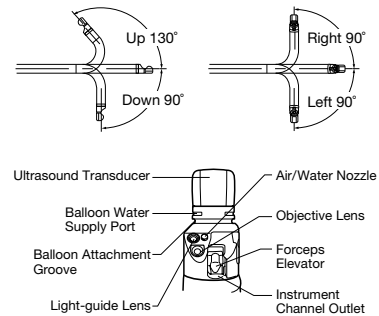
The cable's detachable design makes the ultrasound endoscope easy to handle, reprocess and store.

### Specifications

Endoscopic Functions	Optical System	Field of view	100°	
		Direction of view	Forward oblique viewing 55°	
		Depth of field	3 to 100 mm	
	Insertion Tube	Distal end outer diameter	14.6 mm	
		Insertion tube outer diameter	12.6 mm	
		Working length	1250 mm	
	Instrument Channel	Channel inner diameter	3.7 mm	
		Minimum visible distance	6 mm	
	Bending Section	Angulation range	Up 130°, Down 90° Right 90°, Left 90°	
			Total Length	1555 mm



Ultrasound Functions		With EU-ME2	With ProSound F75
	Cable	MAJ-2056	
	Cable Length	1500 mm	
	Operation Mode	B-mode, COLOR FLOW mode, POWER FLOW mode, H-FLOW mode, PW mode	B-mode, M-mode, D-mode, Power Flow mode, Flow mode
	Scanning Method	Electronic curved linear array	
	Scanning Direction	Parallel to the insertion direction	
	Frequency	5, 6, 7.5, 10, 12 MHz	5, 6, 7.5, 10 MHz
	Scanning Range	180°	
	Contacting Method	Balloon method, Direct Contact method	



Specifications, design and accessories are subject to change without any notice or obligation on the part of the manufacturer.